



BRONZE GATE VALVE

Model 1110



PRESSURE RATING:

PN 20 (300 psi)

HYDRAULIC TEST:

Body: 30 bar
Seat: 22 bar

CONNECTION:

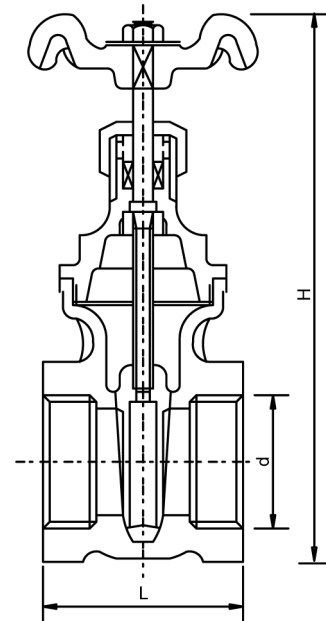
Screwed Ends

COUNTRY OF ORIGIN:

China

MATERIAL CONSTRUCTION:

Bronze and High Tensile Brass



DIMENSIONS:

DN	L mm	H mm
65	88.5	235
80	105.5	271

* All dimensions in mm.